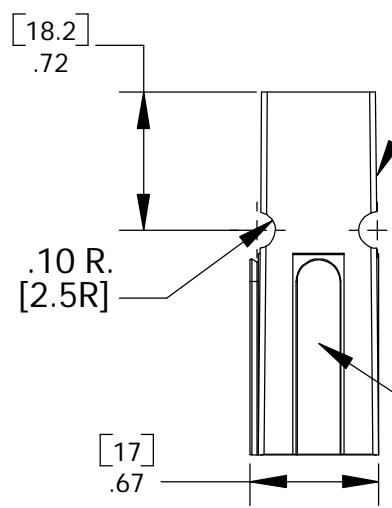


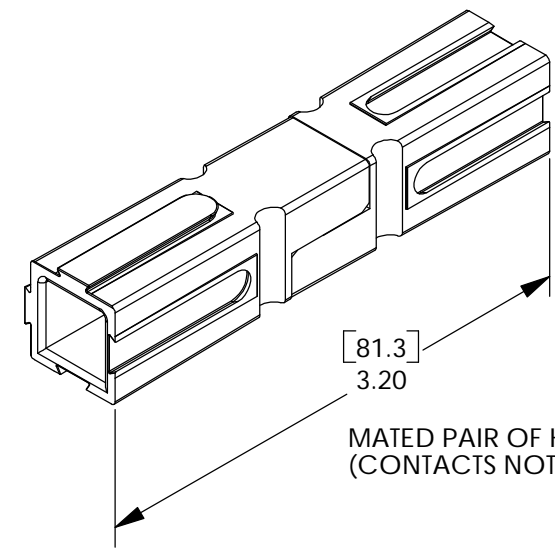
THE INFORMATION CONTAINED IN THIS DRAWING IS THE SOLE PROPERTY OF ANDERSON POWER PRODUCTS. ANY REPRODUCTION IN PART OR WHOLE WITHOUT THE WRITTEN PERMISSION OF ANDERSON POWER PRODUCTS IS PROHIBITED.

REV.	DESCRIPTION OF CHANGES	BY:	DATE
5	UPDATED TO CAD (ECRN 13058)	CGC	4/23/98

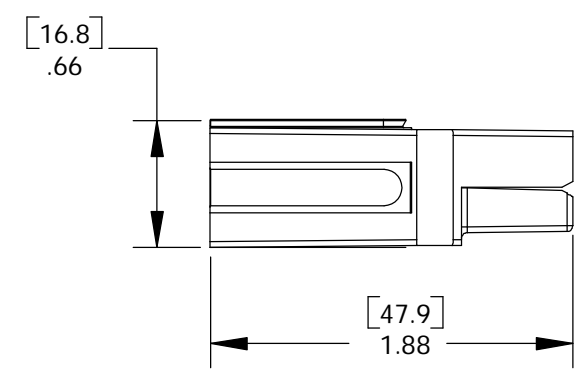
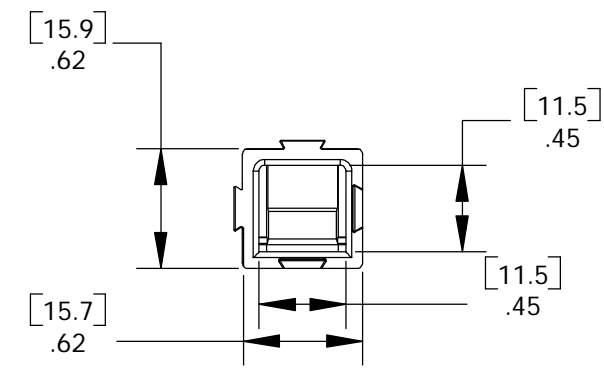


WHEN MATED SIDE TO SIDE, HALF-ROUNDS ALIGN TO FORM A SLOT FOR ROLL PIN INSERTION, WHICH PROTECTS AGAINST ACCIDENTAL DISLODGING OF MATED HOUSINGS.

DOVETAILED ALLOW STACKING IN VERTICAL, HORIZONTAL, OR IN BLOCK CONFIGURATIONS.



MATED PAIR OF HOUSINGS (CONTACTS NOT SHOWN)



CAT. NO.	COLOR
5916	BLUE
5916G4	BLACK
5916G5	WHITE
5916G6	GREEN
5916G7	RED

NOTES:

1. SPRING/HOUSING ASSEMBLIES ARE UL RECOGNIZED PER FILE E26226 AND CSA CERTIFIED PER LR25154.
2. THESE HOUSING ASSEMBLIES ACCOMMODATE ANDERSON CONTACTS FOR WIRE RANGES FROM #12 AWG TO #6 AWG.
3. FOR ASSEMBLY INSTRUCTIONS, SEE DOCUMENT 1S1072.
4. HOUSINGS: POLYCARBONATE, UL94V0. SPRING: STAINLESS STEEL. FOR OTHER COLORS, CONSULT ANDERSON POWER PRODUCTS.

ITEM NO.	PART OR IDENTIFYING NO.	NOMENCLATURE OR DESCRIPTION	MATERIAL SPECIFICATION	QTY RECD
PARTS LIST				
DIMENSIONS ARE IN INCHES DIMENSIONS IN PARENTHESES [ ] ARE IN MILLIMETERS		CAD GENERATED DRAWING, DO NOT MANUALLY UPDATE		ANDERSON POWER PRODUCTS
TOLERANCES ARE: 2 PLC. DECIMALS +/- .02 [+/- .5]		APPROVALS	DATE	5916-SERIES "POWERPOLE 75" HOUSING/SPRING ASSEMBLY UP TO 75 AMP APPLICATIONS
MATERIALS: SEE NOTE 4.		DRAWN M. MATANES	1/30/69	
FINISH AS MOLDED		CHECKED J.E.T.	1/30/69	
NEXT ASSY	USED ON	RESP ENG E.D.W.	1/31/69	
APPLICATION		DO NOT SCALE DRAWING		
SIZE A		DWG. NO. 1-9597S7		REV. 5
SCALE		CAD FILE: 00832		SHEET 1 OF 1