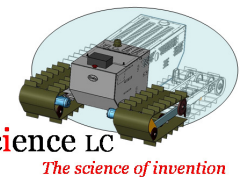
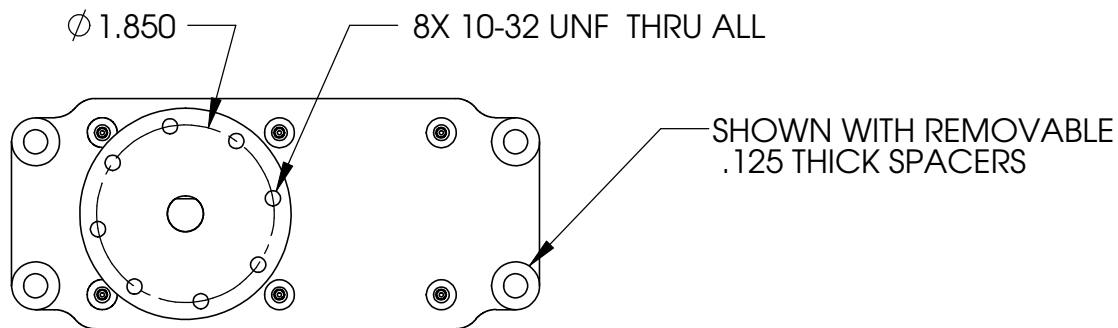
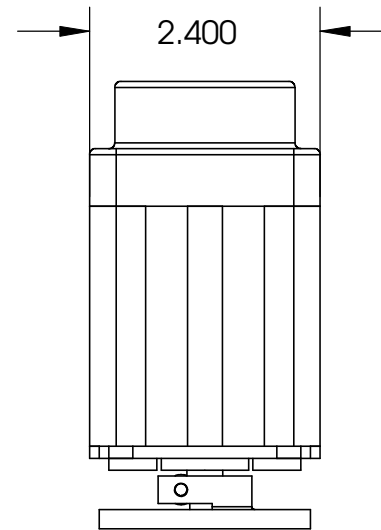
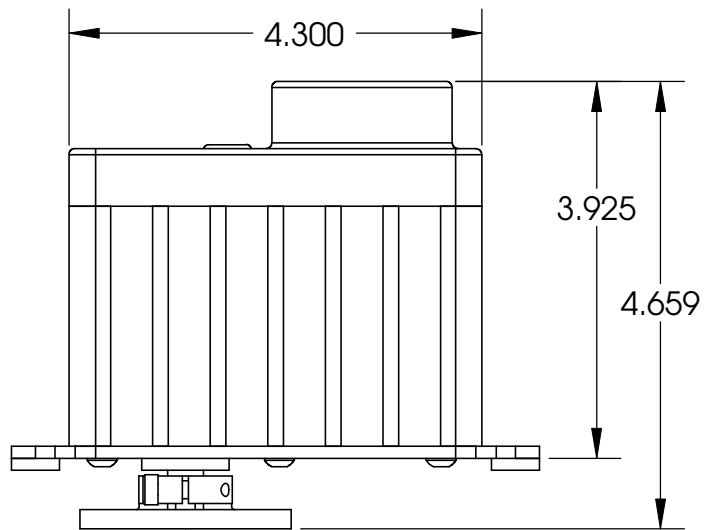
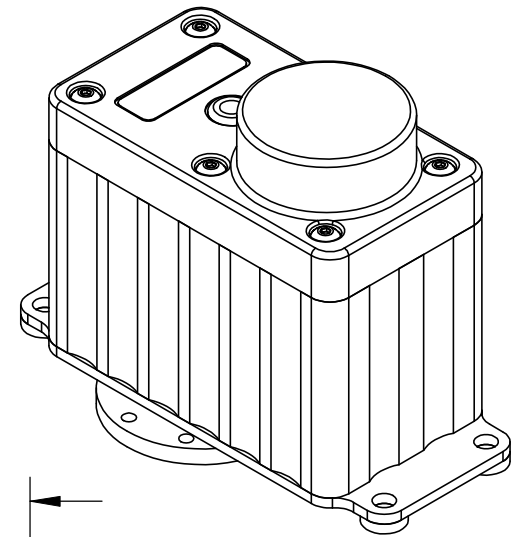
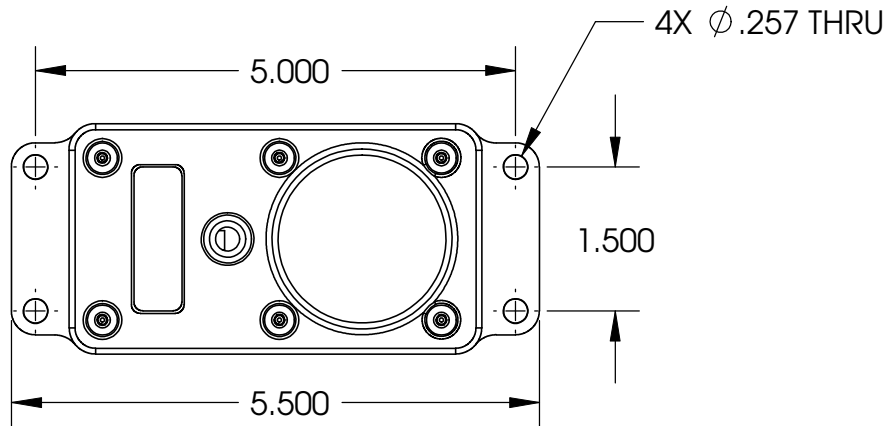


THE INFORMATION CONTAINED IN THIS DRAWING IS THE SOLE PROPERTY OF INVENSIENCE, L.C. ANY REPRODUCTION IN PART OR WHOLE WITHOUT THE WRITTEN PERMISSION OF INVENSIENCE, L.C. IS PROHIBITED. ALL RIGHTS RESERVED © 2009



CAGE CODE		54FP9
<b>ASSY, TORXIS 1.0</b>		
SIZE A	DWG. NO. <b>i00600.TRXS_1</b>	
SCALE 1:2		SHEET 6 OF 6

DO NOT SCALE DRAWING