

Motion Accessories

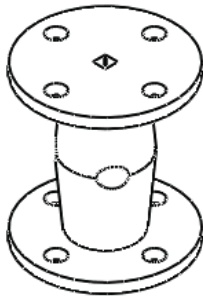
Winch and Pulley Kit

Pull it up

This kit provides the ability to implement a winch and pulley system. Create block and tackle mechanisms to utilize mechanical advantage. Included ratchet and pawl can be engaged to prevent back driving; hang your robot from something without it falling back down.

Expert Tip: **“You can’t push a rope.”**

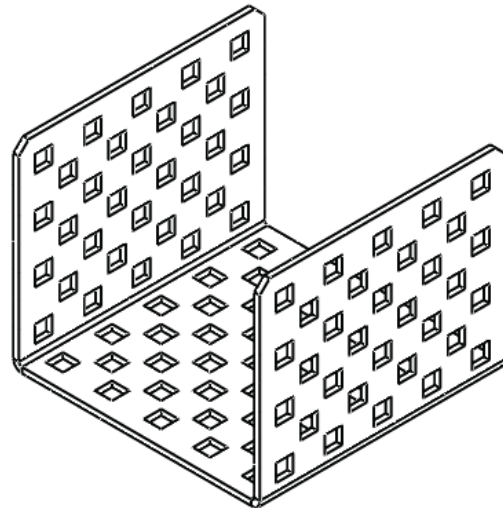
What’s included:



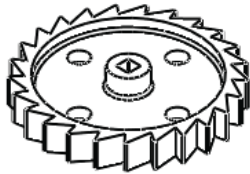
(1) Winch Drum



(1) Rope Section
4-foot
(122cm)



(1) Winch Bracket



(1) Ratchet Gear



(1) Winch Pawl



(8) Idler Pulley

Limited 90-day Warranty

This product is warranted by VEX Robotics, Inc. against manufacturing defects in material and workmanship under normal use for ninety (90) days from the date of purchase from authorized VEX Robotics dealers. For complete warranty details and exclusions, check with your dealer.

VEX Robotics, Inc.
1519 IH 30 W
Greenville, TX 75402

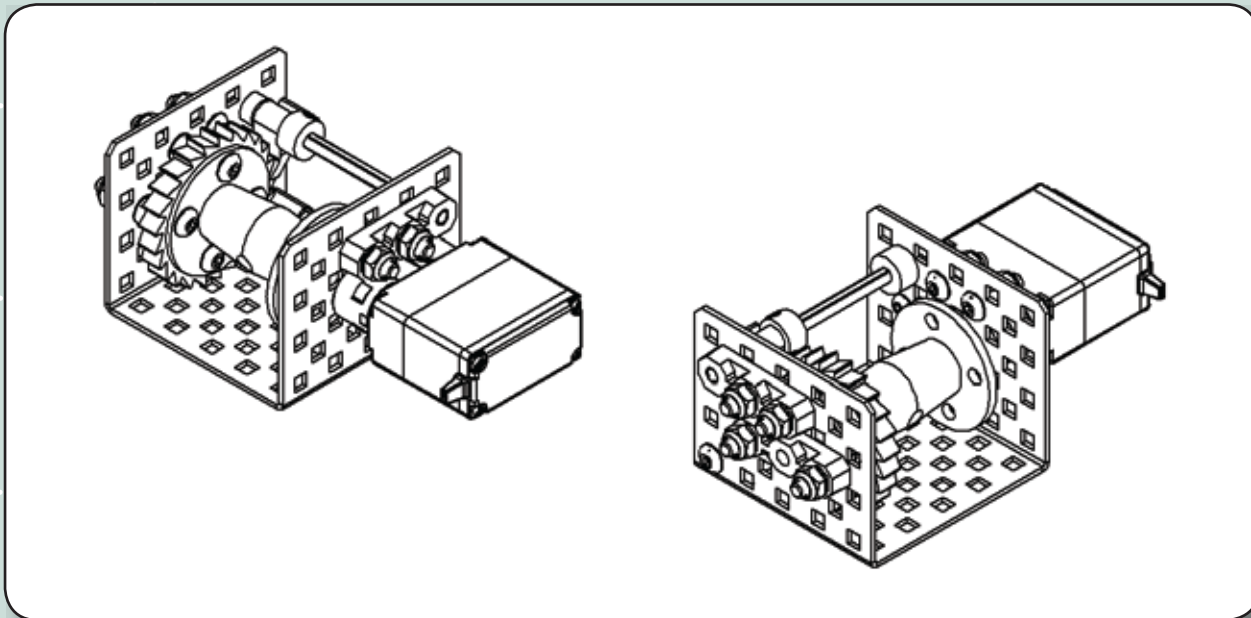
0810

For More Information, and additional Parts & Pieces refer to:
www.VEXRobotics.com

Motion Accessories

Winch and Pulley Kit, continued

The VEX Winch & Pulley Kit includes components to build a winch assembly with eight (8) idler pulleys. The components of this kit are designed such that they can be configured in many different ways. One example configuration of a winch mechanism is shown below.



Note: The above images depict VEX parts & pieces that are not included in the Winch & Pulley Kit. Please refer to the kit contents list for more details.

The image to the right shows how the pawl engages with the ratchet wheel. The VEX Ratchet and Pawl must be mounted in specific configuration to avoid slipping of the Ratchet Gear. The image to the right illustrates proper mounting of the VEX Pawl in relation to the VEX Ratchet Gear.

The pawl can be spring loaded with a rubber band so it is always in contact with the ratchet wheel, or alternately can be driven with a servo or motor so the user can control engagement.

