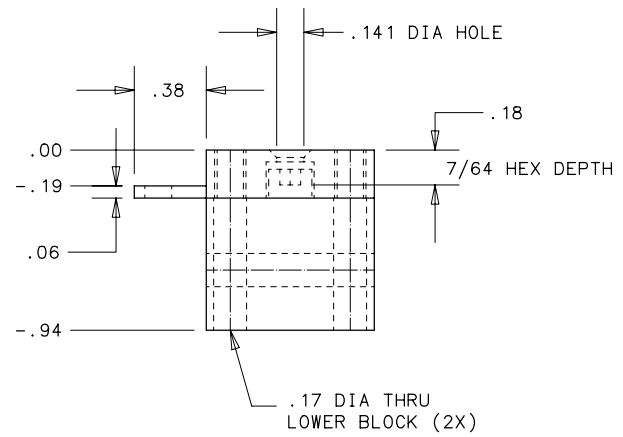
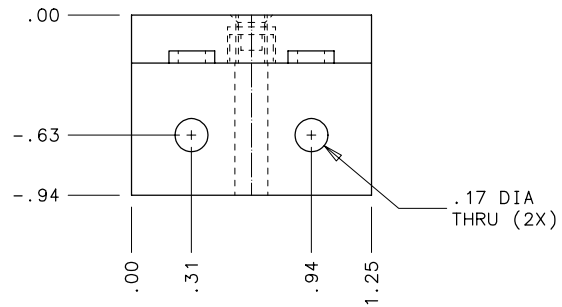
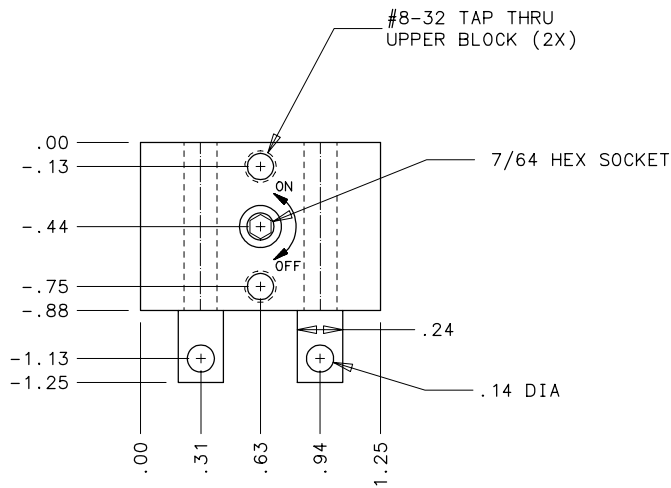


Scale FULL	Dr By TSE	TEAM WHYACHI ROBOTICS	814 E. FIRST AVE. DORCHESTER, WI.	A SIZE	MS05	OF A	REV. A
Date 12-10-2003	Chk By	TITLE: MS-05 MASTER SWITCH		FOR: MASTER DISCONNECT			
THIS DRAWING AND ALL INFORMATION PRESENTED IS THE PROPERTY OF TEAM WHYACHI LLC AND IS STRICTLY CONFIDENTIAL. IT SHALL NOT BE COPIED REPRODUCED OR REVEALED WITHOUT WRITTEN CONSENT. THIS DRAWING MUST BE RETURNED UPON REQUEST.			TOLERANCE (EXCEPT AS NOTED) .0 — .032 .00 — .015 .000 — .005	QTY.	DESCRIPTION	TWR IDENTIFICATION NO.	



MS-05 SPECIFICATIONS

WEIGHT: 1.0 OZ.
SILVER ALLOY CONTACTS
SPRING LOADED CLOSED
DELTRIN SWITCH BLOCK

48 VDC CURRENT RATINGS

CONTINUOUS	40 A
3 MIN.	140 A
25 SEC.	250 A

ACTUATION

ON - 7/64 HEX WRENCH 4 TURNS CCW

OFF - 7/64 HEX WRENCH 4 TURNS CW