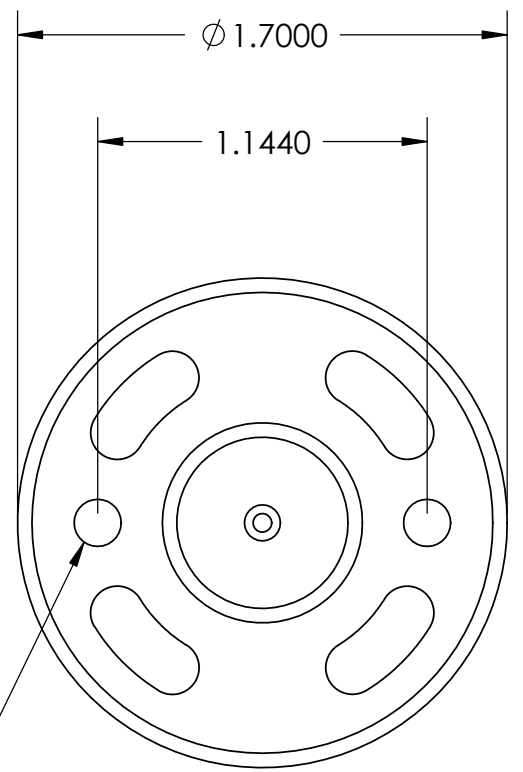
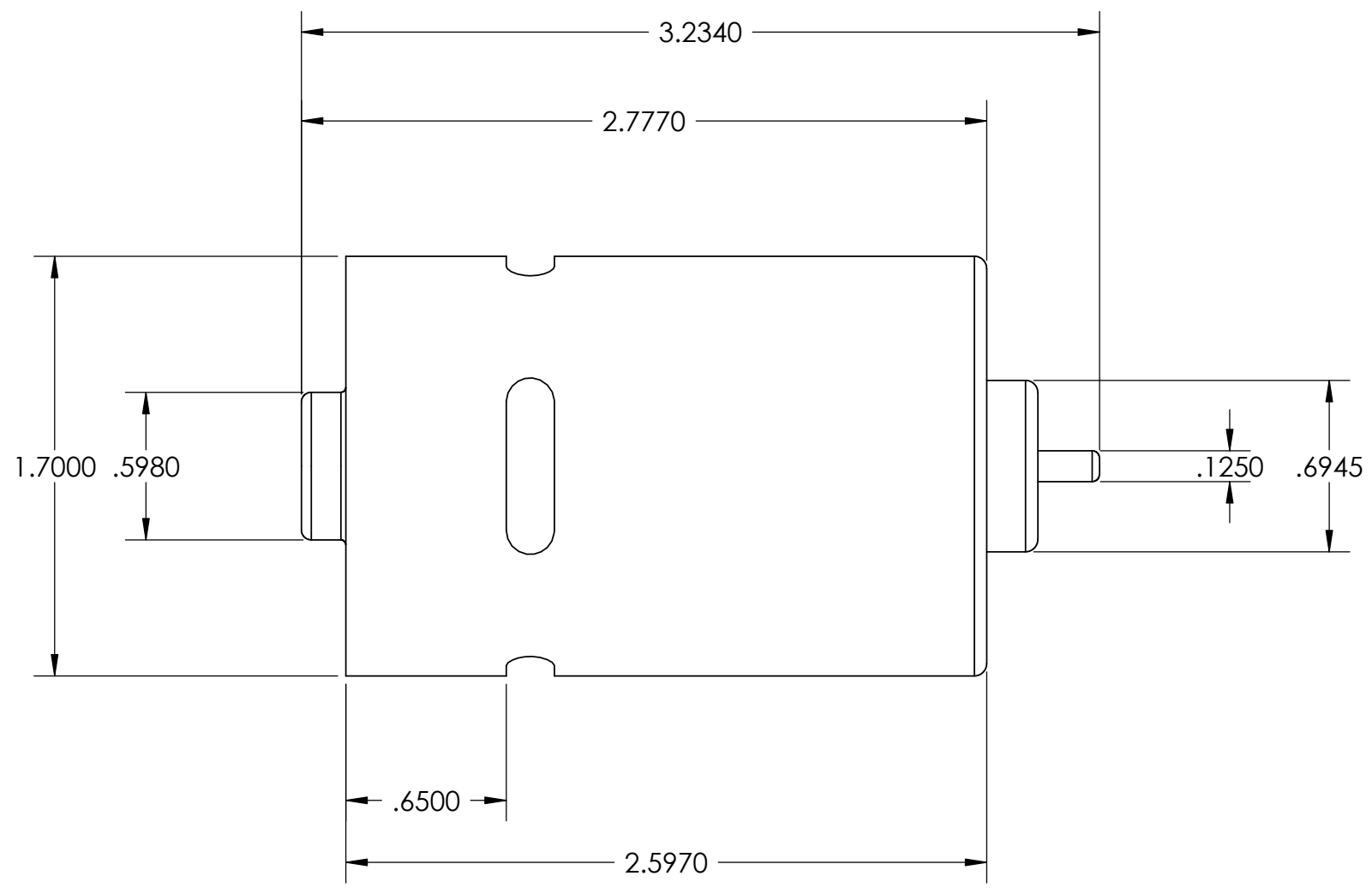


REVISIONS				
REV.	ZONE	DESCRIPTION	DATE	APPROVED
I-I		INITIAL ISSUE	07/30/04	



M4 2 PLACES

UNLESS OTHERWISE SPECIFIED DIMENSIONS ARE IN INCHES TOLERANCES ARE: FRACTIONS DECIMALS ANGLES ±1/32 .0 ± .05 ± 1° .00 ± .005 .000 ± .002		RAPID DESIGN SOLUTIONS	
MATERIAL --		HTI MOTOR	
DESIGNED BY AE	04/09/04	SIZE A	DWG. NO. SS2-111-R1
DRAWN BY AE	DATE 07/30/04	SCALE 1:1	REV. I-I
		SHEET	1 OF 1