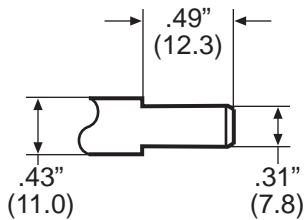
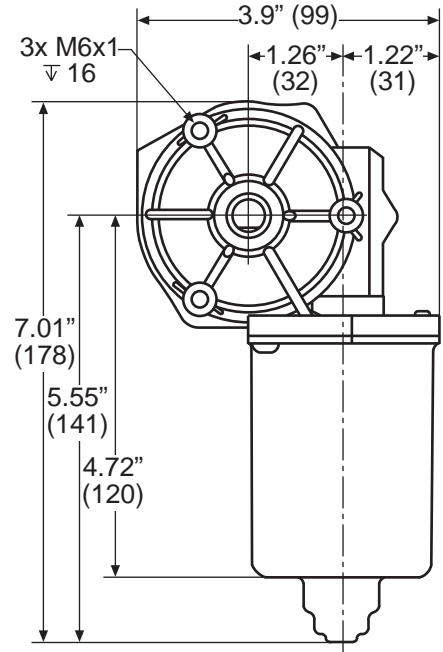
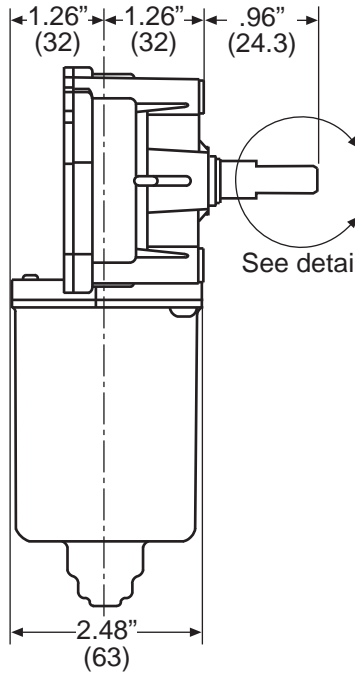
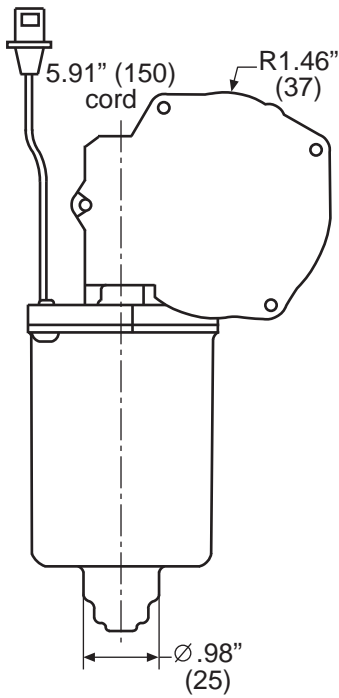
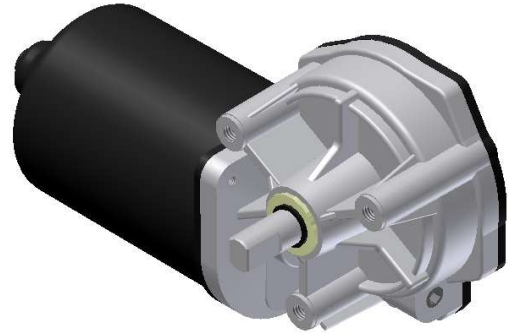


amequipment.com
 Phone: (541) 327-1546
 FAX: (541) 327-1548

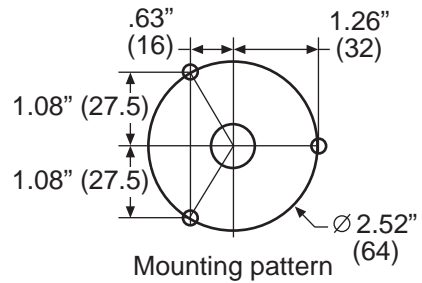
226 series motor

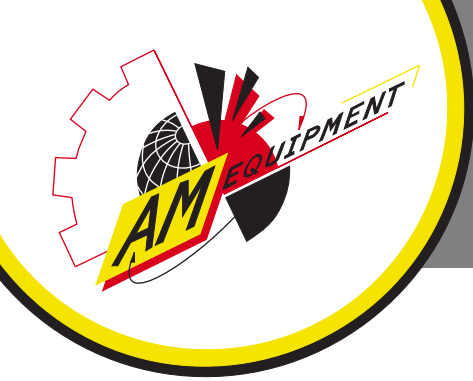
226-3001

- 26Nm stall torque actuator motor. LH
- 12V reversible (24V available upon request)
- Water resistant
- For use with sprockets and drives
- Weighs 2.7 pounds



Mounting bolt: 414-1131

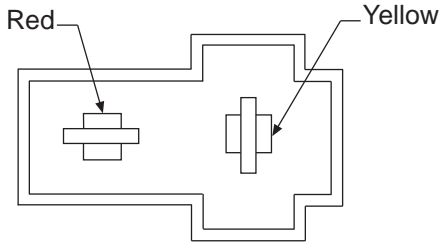




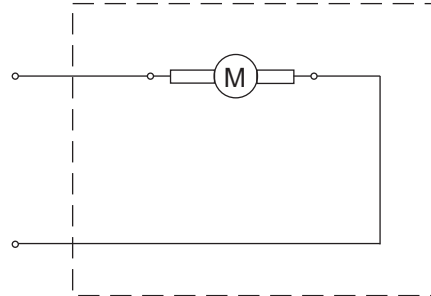
amequipment.com
 Phone: (541) 327-1546
 FAX: (541) 327-1548

226 series motor

226-3001



Terminal housing: 317-1057
 Terminal: 317-1054
 Mate terminal housing: 317-1056
 Mate terminal: 317-1055



Red (+), yellow (-) = CW
 Yellow (+), red (-) = CCW (preferred rotation)

Clockwise Motor Shaft Rotation		
Data Point	Data Type	Value Range
No Load	Current (A)	3.4 - 2.8
	Speed (rpm)	95.9 - 78.5
Stall Load	Torque (Nm)	36.7 - 30.0
	Current (A)	67.4 - 55.2
Peak Power	Power (W)	83.6 - 68.4
	Torque (Nm)	19.2 - 15.7
Nominal (Peak Efficiency)	Power (W)	44.5 nominal
	Speed (rpm)	70.2 nominal
	Current (A)	12.8 nominal
	Torque (Nm)	6.2 nominal
Counter-Clockwise Motor Shaft Rotation		
Data Point	Data Type	Value Range
No Load	Current (A)	3.5 - 2.9
	Speed (rpm)	98.1 - 80.3
Stall Load	Torque (Nm)	35.6 - 29.1
	Current (A)	67.2 - 55.0
Peak Power	Power (W)	84.4 - 69.1
	Torque (Nm)	18.0 - 14.8
Nominal (Peak Efficiency)	Power (W)	44.1 nominal
	Speed (rpm)	74.8 nominal
	Current (A)	11.0 nominal
	Torque (Nm)	5.8 nominal

