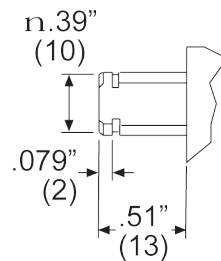
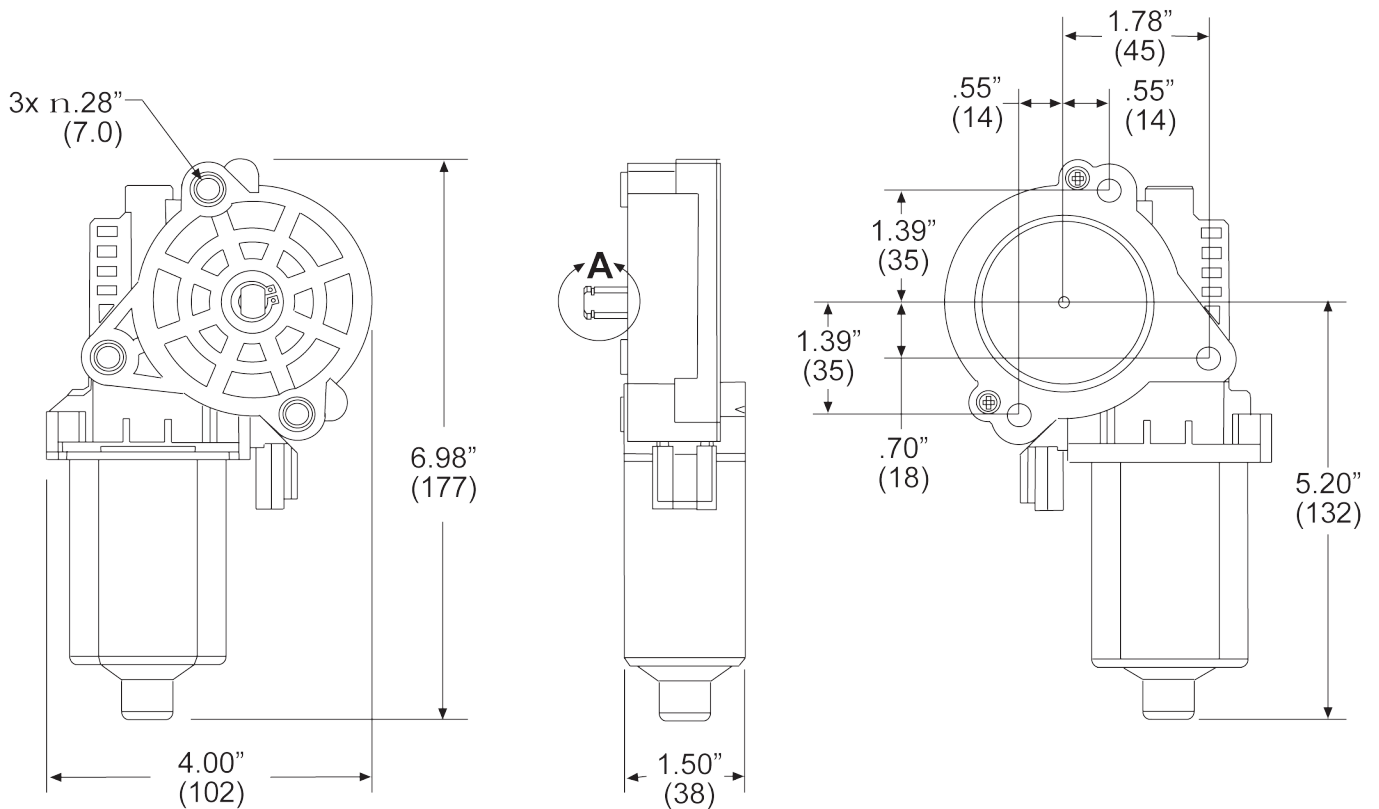


amequipment.com  
Phone: (541) 327-1546  
FAX: (541) 327-1548

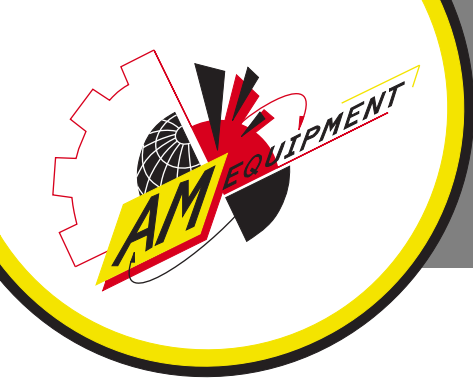
214 series motor

**214-1001**

- 14Nm stall torque actuator motor. RH Housing.
- 12V reversible
- Water resistant
- For use with sprockets and drives
- Weighs 1.6 pounds
- Nine (9) tooth pinion part number 412-1055 available.
- Wire harness pigtail part number 310-1059 available.



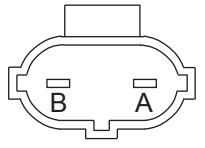
DETAIL A



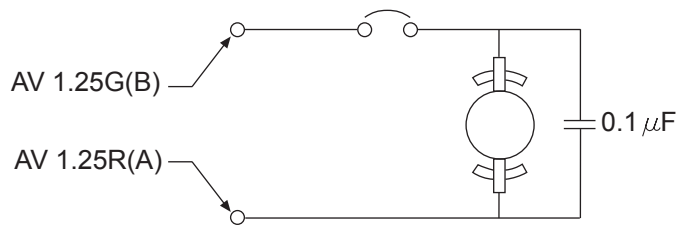
amequipment.com  
 Phone: (541) 327-1546  
 FAX: (541) 327-1548

214 series motor

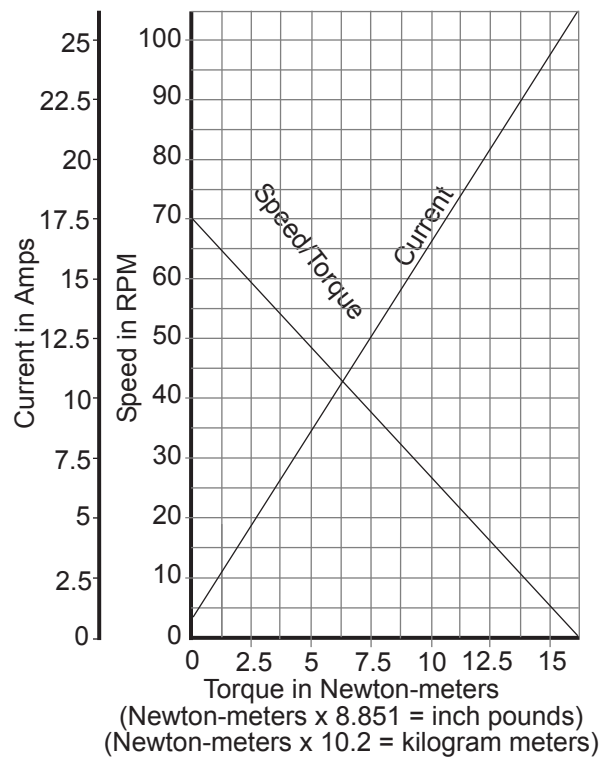
214-1001



Mate terminal: 317-1044  
 Wire seal: 317-1046  
 Mate terminal housing: 317-1058  
 Wire retainer: 317-1059



Clockwise Motor Shaft Rotation		
Data Point	Data Type	Value Range
No Load	Speed (rpm)	75.9 - 62.1
	Current (A)	3.3 - 2.7
Stall Load	Torque (Nm)	19.4 - 15.9
	Current (A)	31.7 - 26.0
Peak Power	Power (W)	36.5 - 30.0
	Torque (Nm)	10.5 - 8.6
Nominal (Peak Efficiency)	Power (W)	24.0 nominal
	Speed (rpm)	52.2 nominal
	Current (A)	7.7 nominal
	Torque (Nm)	4.4 nominal
Counter-Clockwise Motor Shaft Rotation		
Data Point	Data Type	Value Range
No Load	Speed (rpm)	75.6 - 61.8
	Current (A)	3.4 - 2.8
Stall Load	Torque (Nm)	16.0 - 13.1
	Current (A)	31.6 - 25.9
Peak Power	Power (W)	37.1 - 30.4
	Torque (Nm)	9.2 - 7.6
Nominal (Peak Efficiency)	Power (W)	26.0 nominal
	Speed (rpm)	51.5 nominal
	Current (A)	8.8 nominal
	Torque (Nm)	4.9 nominal



BACKDRIVE 20Nm MINIMUM CW & CCW