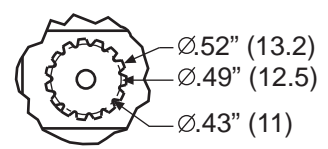
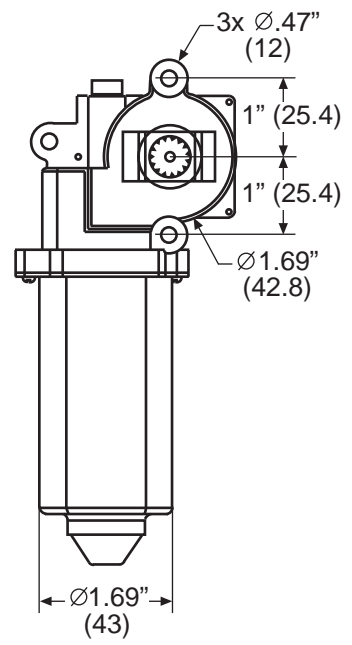
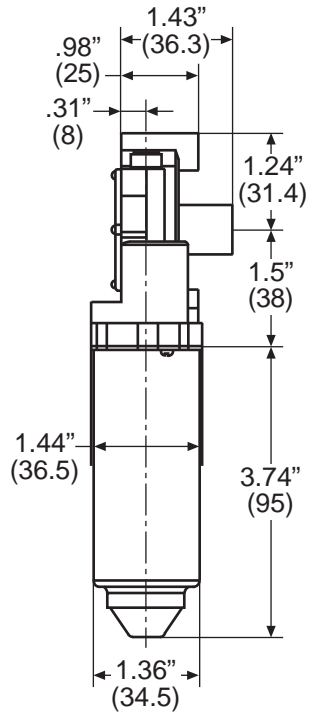
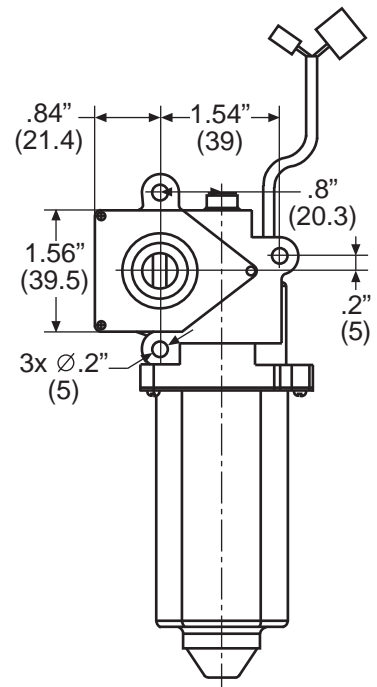
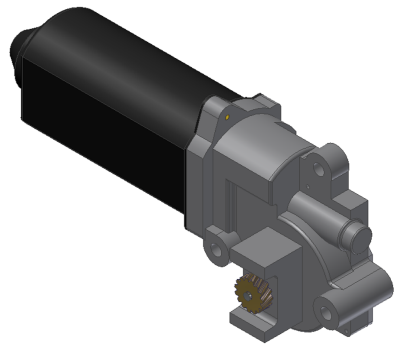
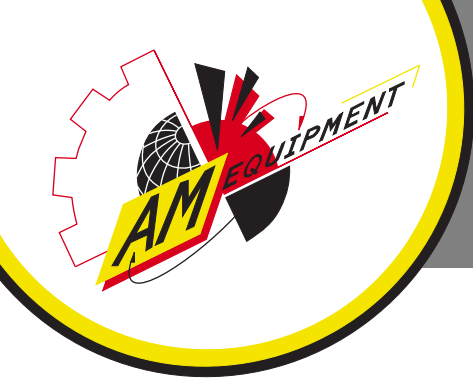


amequipment.com  
 Phone: (541) 327-1546  
 FAX: (541) 327-1548

203series  
 motor

- 203-5000**
- 3Nm stall torque actuator motor
  - 12V reversible
  - Water resistant
  - Weighs 1.35 pounds

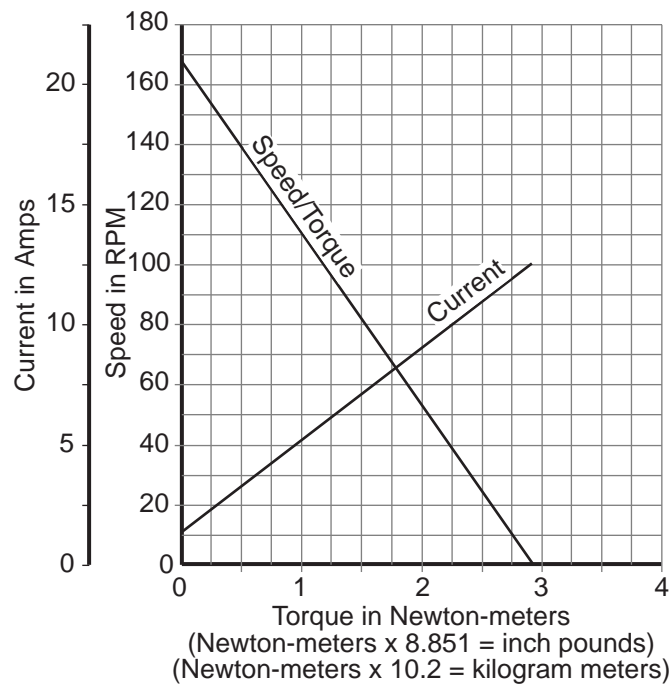
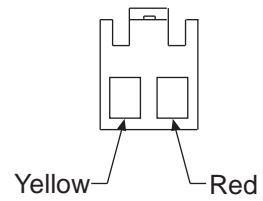
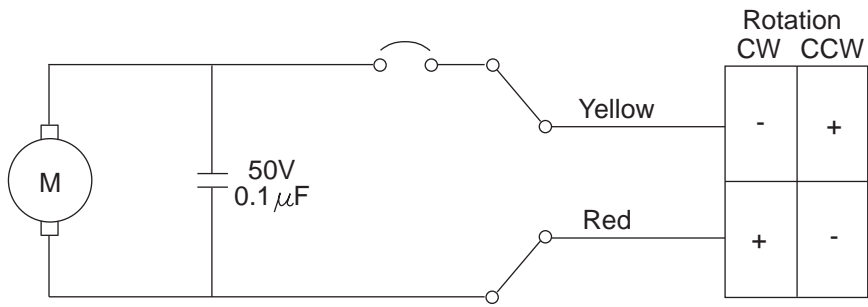




amequipment.com  
 Phone: (541) 327-1546  
 FAX: (541) 327-1548

203  
 motor

203-5000



2  
 of  
 2