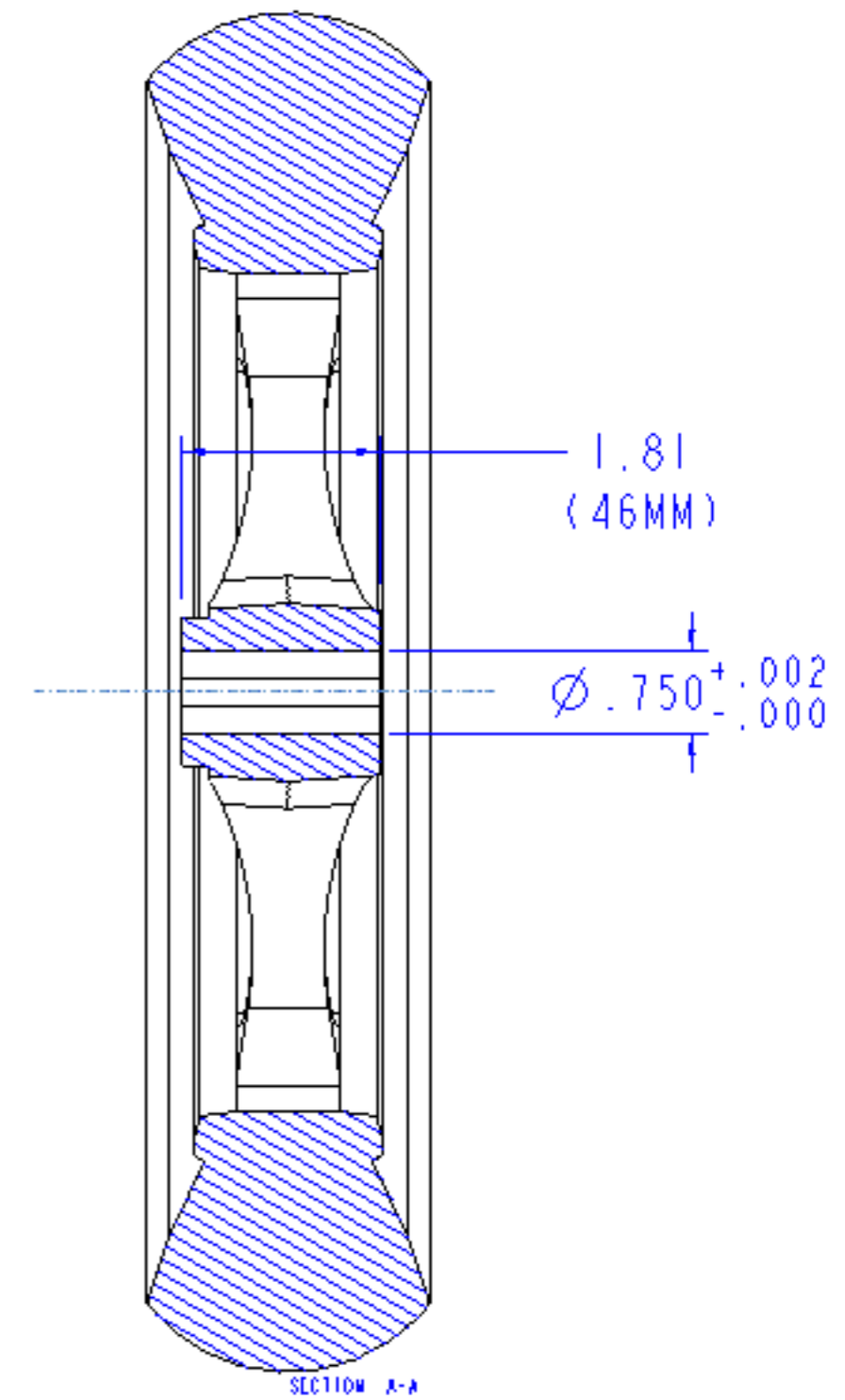
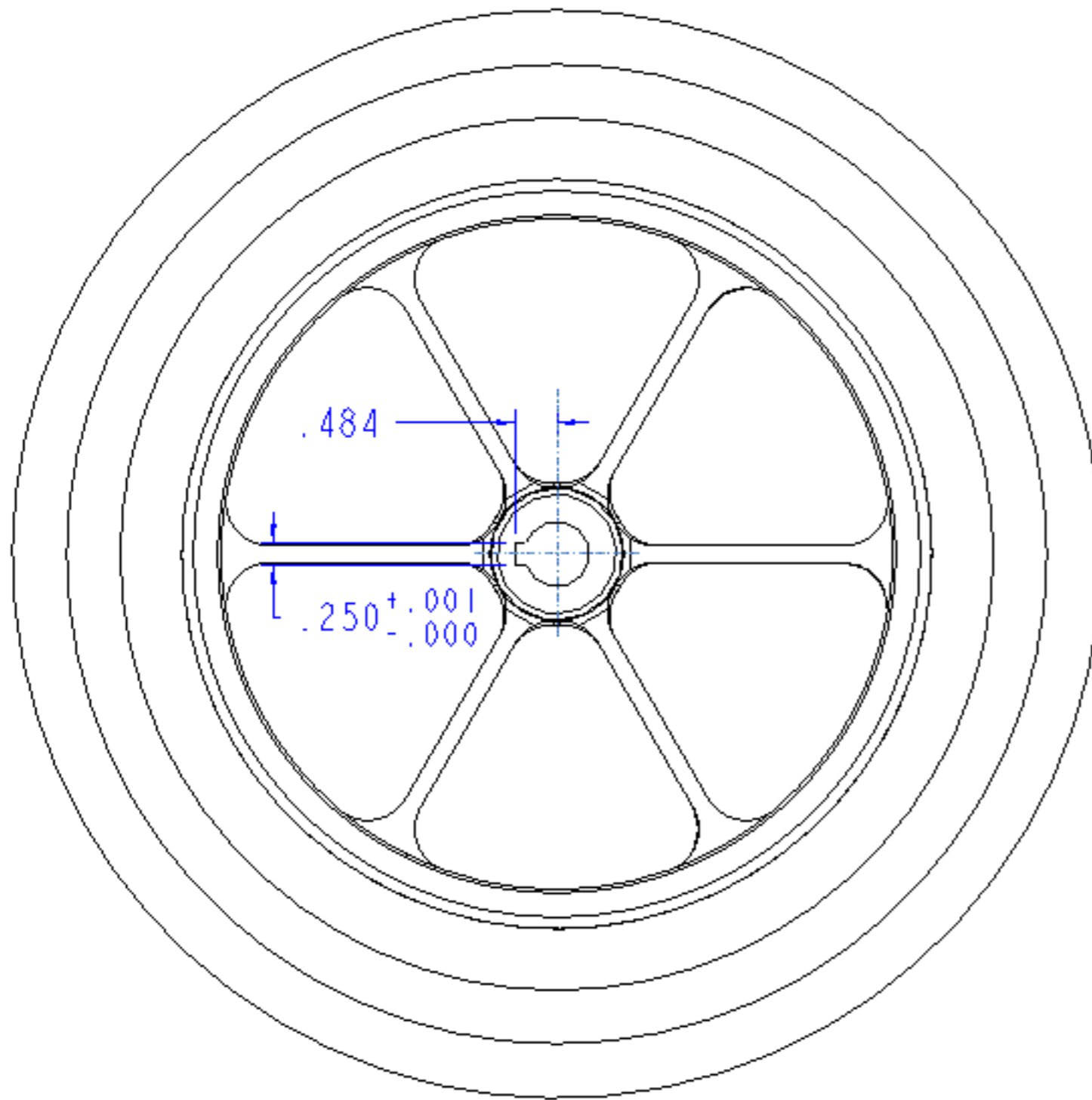


REVISIONS				
ECO	REV	DESCRIPTION	DATE	APPROVED



NOTES:
1. TIRE: 12.5 X 2.75 KNOBBY

ITEM	PART NUMBER	DESCRIPTION	QTY
BILL OF MATERIAL			

DO NOT SCALE THIS DRAWING	TOLERANCES UNLESS OTHERWISE NOTED		SIGNATURE		DATE
	2 PLC ±	3 PLC ±	ANGLE ±	DETAIL APP'D	
MATERIAL	REMOVE BARRS & SHARP EDGES		APP'D		
	SURFACE FINISH		THIRD ANGLE PROJECTION		
FINISH		DIMENSIONS ARE IN INCHES		Powerhouse Engineering 12.5-INCH WHEEL	
SIZE C	DRAWING NUMBER	REV			
SCALE	X.XX ±0.1	SHEET 1 OF 1			