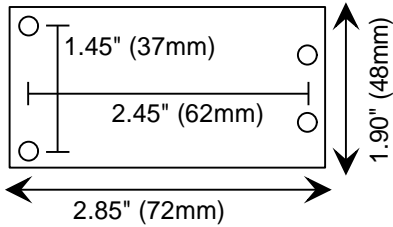


RCE220 DUAL ENDED SWITCH - INSTRUCTIONS



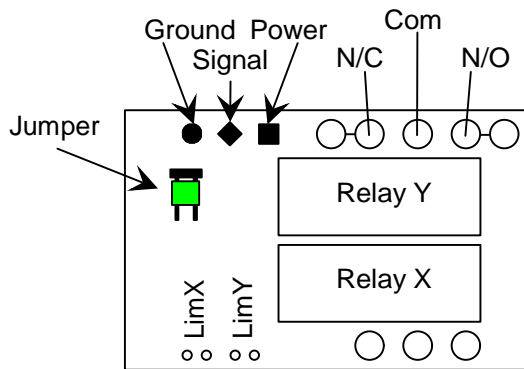
MOUNTING

The RCE220 PC board was designed to be secured by four #6 machine screws to a flat surface. The orientation is not important. If you use small stand-off spacers be sure they do not short any of the traces on the board. If you intend to use this product in an environment subject to harsh shocks, take care to affix the shorting jumper (below) so it does not fly off.

HOOK-UP AND CONFIGURATION

First you will need to solder a three-wire connector suitable for your R/C receiver to the top left side of the RCE220 board. The standard colors of the conductors vary between manufacturers so double check their functions before proceeding. The top of the board has all of the components on it. The role of each solder pad is keyed: square for power, diamond for signal and round for ground. If you reverse power and ground you will destroy this board, so double check your work.

R/C Receiver Connections



Switched Load Connections

Each relay has its own contact connections for controlling your device. There are both normally-open (N/O) and normally-closed (N/C) pads available for maximum flexibility. Each relay operates independently, though an electronic safety interlock prevents both relays from becoming energized at the same time.

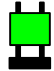

Two pairs of connections are available at the bottom of the board that allow external limit switches to override the R/C transmitter stick command. To force Relay Y into the de-energized state simply short the two pins labeled "LimY." Relay X has the same provision for it as well.

OPERATION

The red LED will aid you in setup. It's operation is standard on all Team Delta products:

- Off The board is unpowered
- On solid Transmitter fault: no valid signal detected (all relays **OFF** for safety)
- ⊛ Slow blink Valid signal; all relays are **OFF**
- ⊛ Fast blink Valid signal; one relay is **ON**

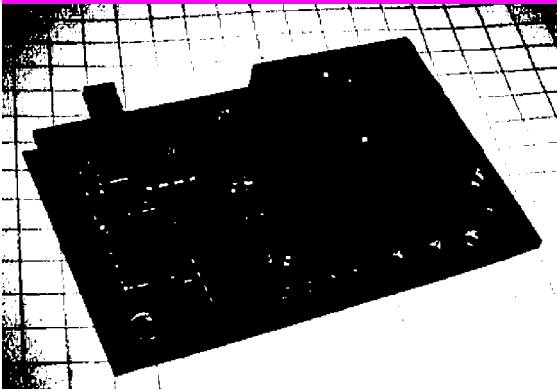
The sensitivity jumper configures the Relay X and Relay Y turn on/off thresholds as shown in the table. 0% is stick center. You may alter the jumper configuration "on the fly" to test out the two thresholds. You may also need to adjust the trim on your transmitter stick for symmetrical operation.

	Xon	Yon
Jumper installed 	-66%	+66%
Jumper removed 	-36%	+36%

RCE220 Specifications

Supply voltage:	3.8 - 5.5 vdc	Relay load rating:	30VDC 12 amp motor load
Supply current:	20ma static, 75ma energized	Switching time:	7.0 milliseconds

R C DUAL ENDED SWITCH



RCE220 DUAL ENDED SWITCH - DESIGN NOTES

