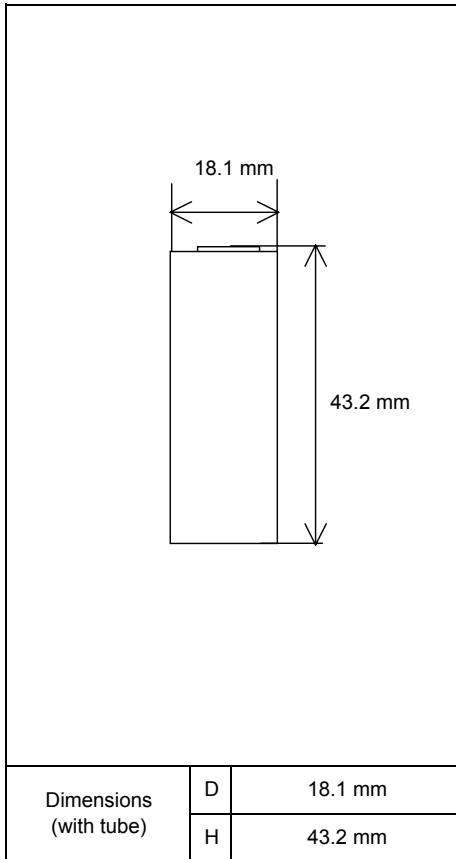


## Specifications



Type : Nickel-Metal Hydride Battery		Size : 4/5FA
Capacity <sup>1)</sup>	Typical	1950mAh
	Minimum	1800mAh
Nominal Voltage		1.2V
Charging Current x Time	Fast Charge <sup>2)</sup>	1950 mA x about 1.1h
Ambient Temp.	Charge Condition	Fast Charge <sup>2)</sup> 0°C - 40°C
	Discharge Condition 0°C - 50°C	
	Storage Condition	Less than 30days
Less than 90days		-20°C - 40°C
Less than 1year		-20°C - 30°C
Internal Impedance <sup>3)</sup> (after discharge to E.V.=1.0V)		Approx. 5 mΩ(at 1000Hz)
Weight <sup>4)</sup>		Approx. 39 g
Size <sup>4)</sup> : (Diameter) x (Height)		18.1(D) x 43.2(H) mm

1)Single cell capacity under the following condition.

Charge : 195mA×16h, Discharge : 390mA(E.V.=1.0V) at 20°C

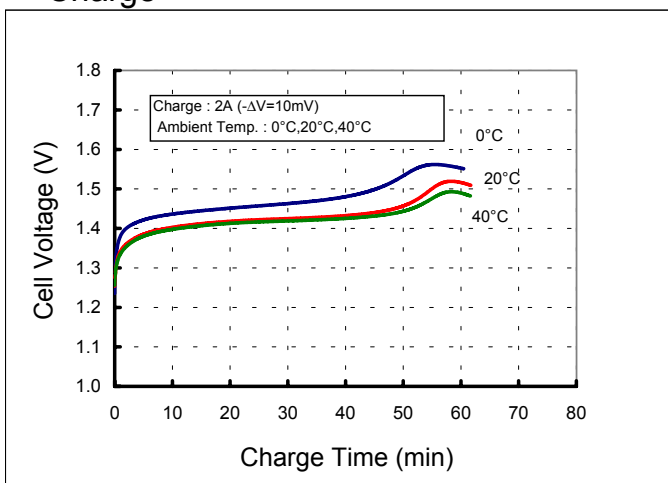
2)Use recommended charging system.

3)After a few charge and discharge cycles under the above 1) condition.

4)With tube.

## Typical Characteristics

### Charge



### Discharge

