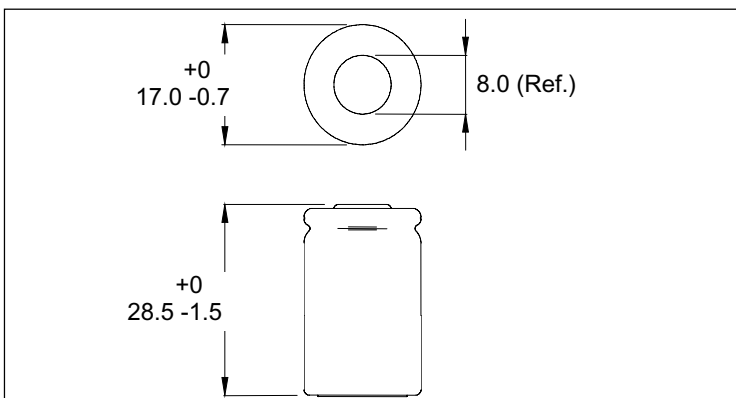


GP Batteries

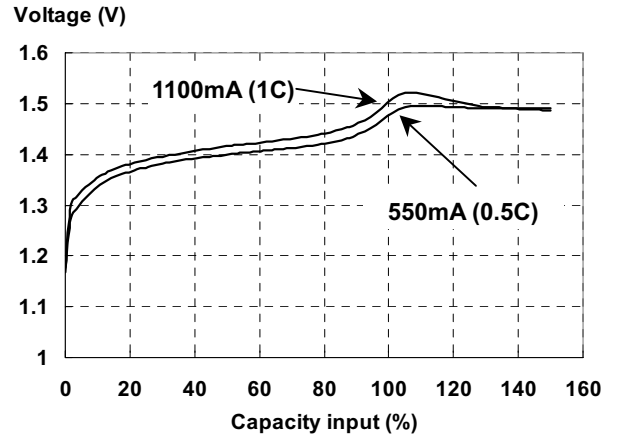
Data Sheet

Model No.: GP110AFHR

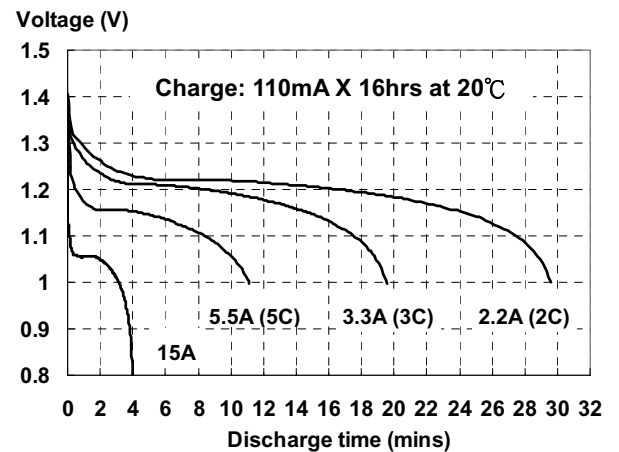
Type	: Rechargeable Nickel Metal Hydride Cylindrical Cell
Nominal Dimension (with Sleeve)	: $\Phi=17.0\text{mm}$ H=28.5mm
Applications	: Discharge current 110mA to 15A (Continuous)
Nominal Voltage	: 1.2V
Nominal Capacity	: Minimum: 1045mAh Typical: 1100mAh When discharge at 1C to 1.0V at 20°C
Charging condition	: 110mA for 16hrs at 20°C
Fast Charge	: 550mA to 1100mA (0.5C to 1C) with charge termination control Recommended control parameters: - ΔV : 0-5mV dT/dt : 0.8°C/min (0.5C to 0.9C) 0.8-1.0°C/min (1C) TCO : 40-45°C Timer : 105% nominal input (Secondary)
Service Life	: >500 cycles (IEC 61951-2)
Continuous Overcharge	: 110mA maximum current for 1 year No conspicuous deformation and/or leakage
Weight	: 21.5g
Internal Resistance	: Average 6m Ω upon fully charged (Range 5-8m Ω) at 1000Hz
Max. charging Voltage	: 1.5V at 110mA charging
Ambient Temperature Range	: Standard charging : 0 to 40°C Fast Charging : 10 to 40°C Discharging : -20 to 50°C Storage : -20 to 35°C Storage (1week) : -20 to 60°C



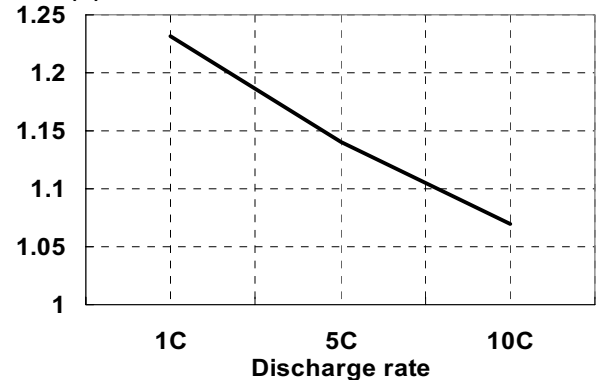
Fast Charge (charge control required)



High Rate Discharge



MPV (V)



* The information (subject to change without prior notice) contained in this document is for reference only and should not be used as a basis for product guarantee or warranty. For applications other than those described here, please consult your nearest GP Sales and Marketing Office or Distributors.

